

QSD X3.0M

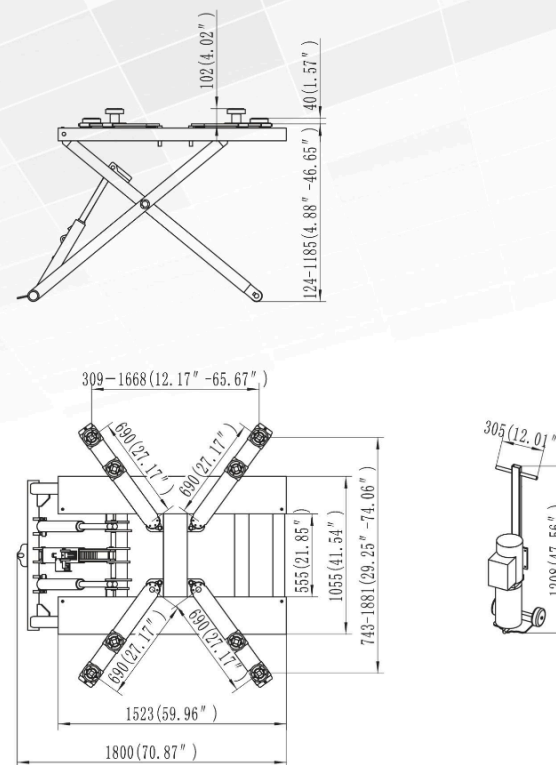
Mobile Scissor Lift With Manual Release 移动式剪式升降机 (手动解锁)



FEATURES 产品特点

- ☑ 3000KG (7,000lbs) lifting capacity
- ☑ Perfect lift for painting jobs and bodywork, brakes and tire service
- ☑ Single-point manual lock release
- ☑ Automatic arm locking system, which makes sure the lifting arms can not move when the car is placed on the lift
- ☑ Portable motor cart serves as tow dolly, making it portable and able to operate on concrete indoors or outdoors
- ☑ Dual cylinder structure, ensure stable raising and lowering
- ☑ Multiple locking positions accommodates higher profile vehicles and provides maximum headroom to work underneath vehicles
- ☑ Powder coated finish provides long-lasting durable use
- ☑ Each lift passes the 115% rated capacity dynamic load test and 150% rated capacity static load test, safe and reliable.

OVERALL DIMENSION 尺寸参数



TECHNICAL DATA 技术参数

型号	Model	QSD X3.0M
举升重量	Capacity	3000kg (7,000lbs)
举升高度	Lifting height without pad	1185mm (46.65")
最低高度	Min.height	124mm (4.88")
上升时间	Lifting time	30-35s
电机功率	Motor power	2.2kW (3HP)