

QSD X3.0E



Mobile Scissor Lift With Automatic Lock Release 移动式电动解锁中位剪

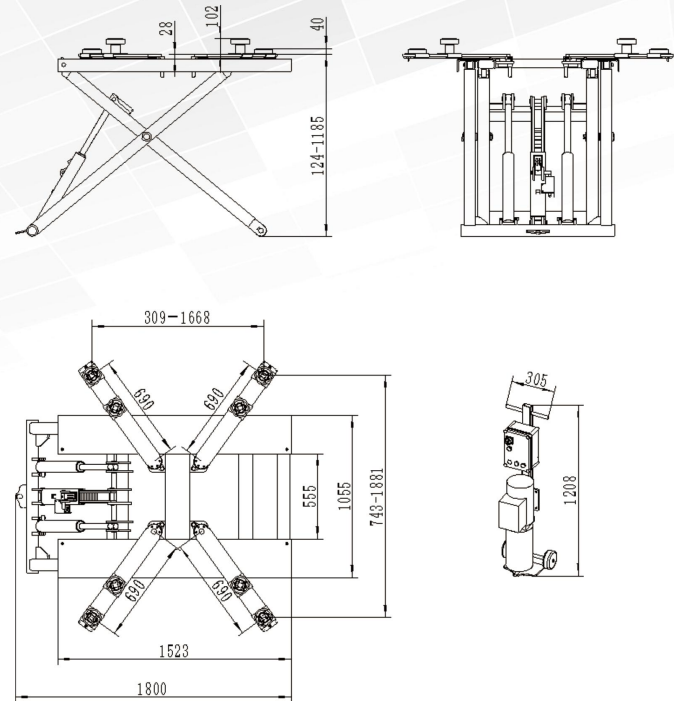
3000 KG



FEATURES 产品特点

- ☑ 3000KG (6,600lbs) lifting capacity
- ☑ Perfect lift for painting jobs and bodywork, brakes and tire service
- ☑ UP ,Down and LOCK by buttons, automatic lock release
- ☑ Automatic arm locking system, which makes sure the lifting arms can not move when the car is lifted
- ☑ Portable motor cart serves as tow dolly, making it portable and able to operate on concrete indoors or outdoors
- ☑ Dual cylinder structure,ensure stable raising and lowering
- ☑ Multiple locking positions accommodates higher profile vehicles and provides maximum headroom to work underneath vehicles
- ☑ Powder coated finish provides long-lasting durable use
- ☑ Each lift passes the 115% rated capacity (3,450kg) dynamic load test and 150% rated capacity (4,500kg) static load test,safe and reliable.
- ☑ Steel motor is standard, aluminum motor is optional.

OVERALL DIMENSION 尺寸参数



TECHNICAL DATA 技术参数

型号	Model	QSD X3.0E
举升重量	Capacity	3000kg
举升高度	Lifting height	1225mm
最低高度	Min.height	124mm
上升时间	Lifting time	30-35s
电机功率	Motor power	2.2kW